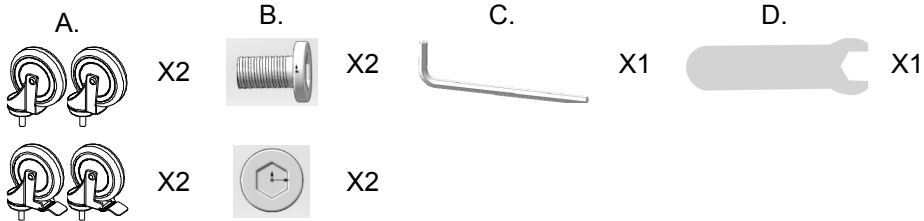
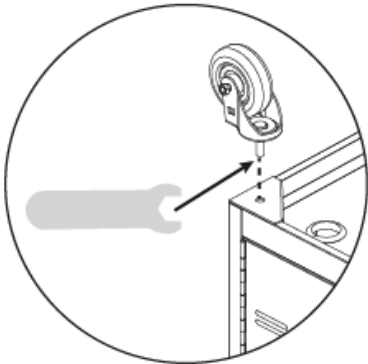


Assembly Instructions

Parts



Step 1: Attach casters (A) to base using open end wrench (D). Locking casters should be installed on the right side to allow easy access.



Step 2: Attach the handle with the provide screws (B) to the right side of the cart, using Allen wrench (C) to screw the handle bar.

